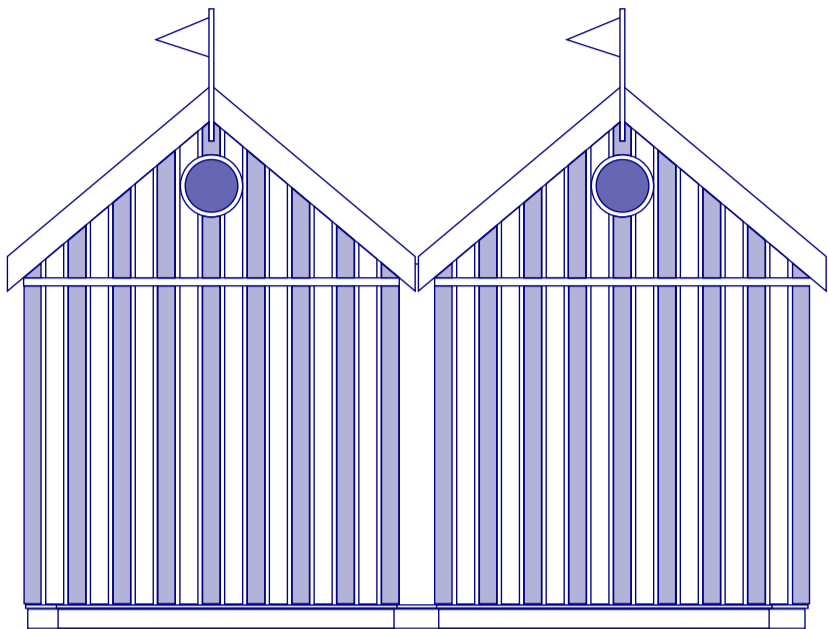
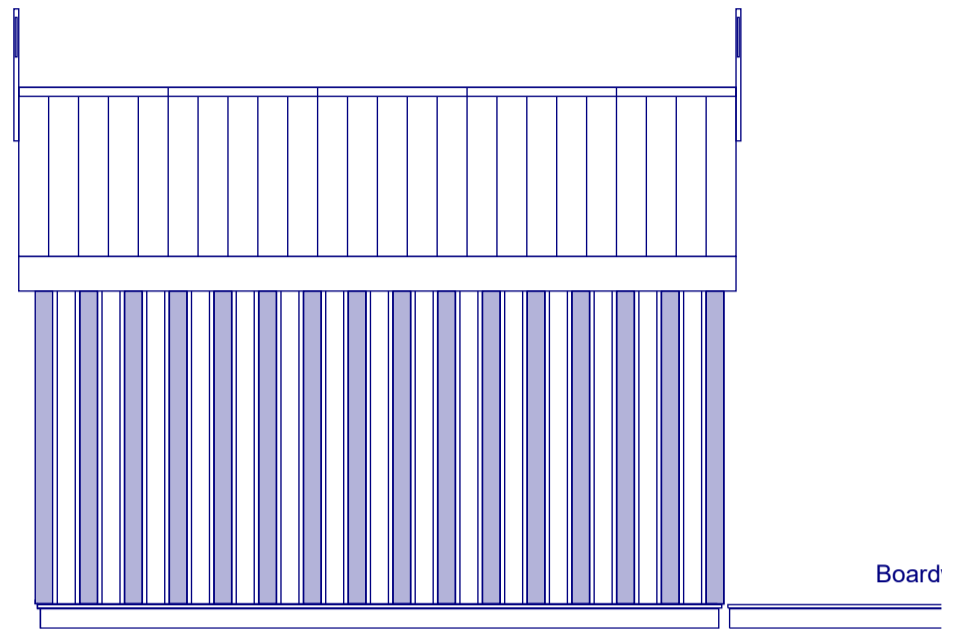


NOTES :
 Figured dimensions only are to be taken from this drawing. All dimensions are to be checked on site before any work is put in hand.

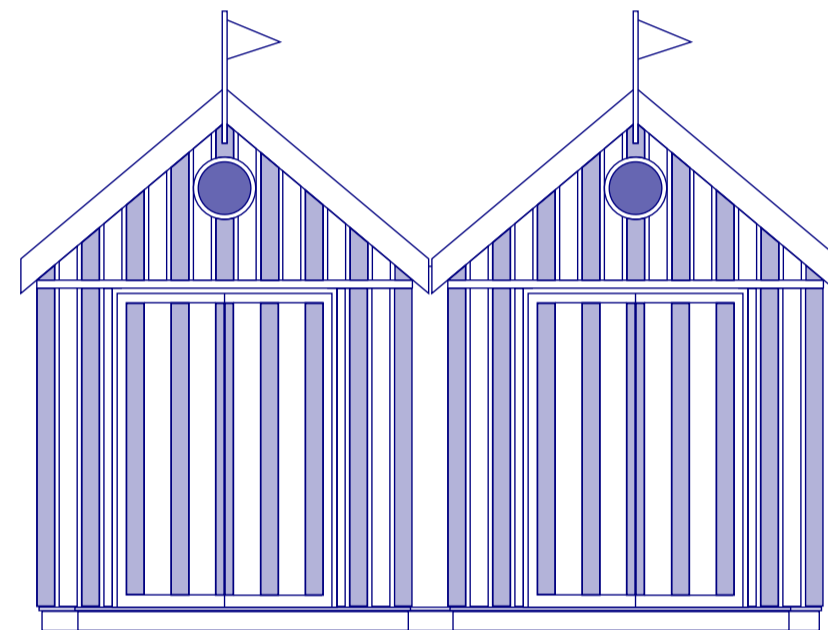
The Copyright of this drawing is owned by SALT Architects



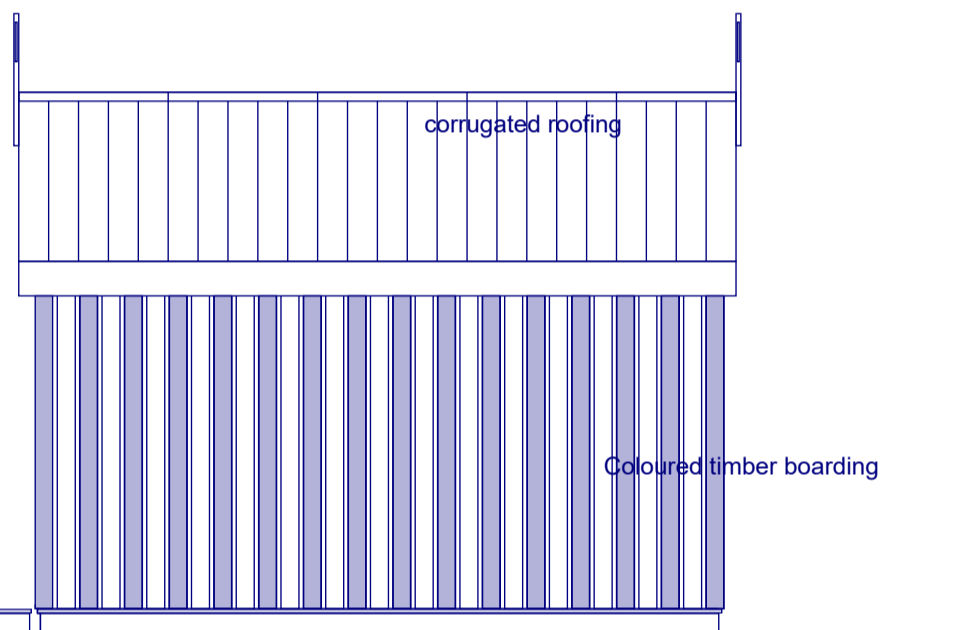
Front Elevation



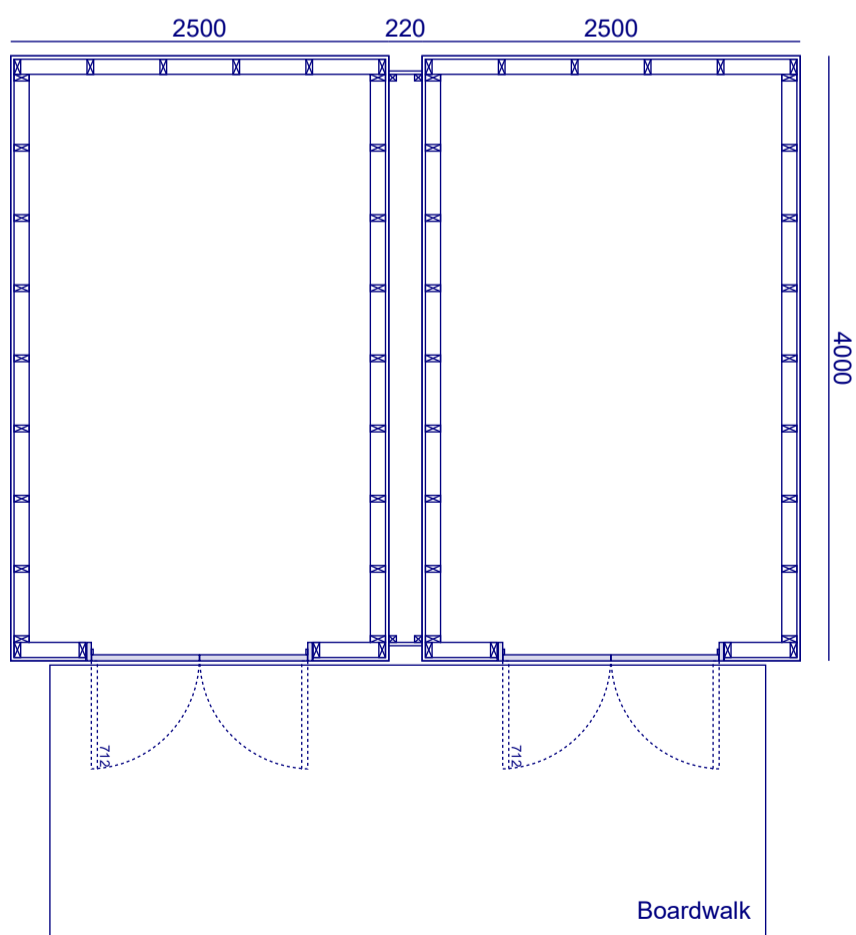
Side Elevation



Rear Elevation



Side Elevation



Layout

Rev	Revision Details	Drawn	Date
Mark	Revision	Drawn	Date Checked

SALT architects
 54 Lairgate, Beverley,
 East Yorkshire
 HU17 8EU
 telephone 01482 888102
 fax 01482 888621

Client's name
SCARBOROUGH VOLLEY BALL

Job title
CHANGING HUTS

Drawing title
GENERAL ARRANGEMENT

Scale
1:50

Drawn	Checked	Date
GH		3 SEPTEMBER 2016
Job No	Drawing No.	Rev
1010101	01	-
Status	DRAWING STATUS	